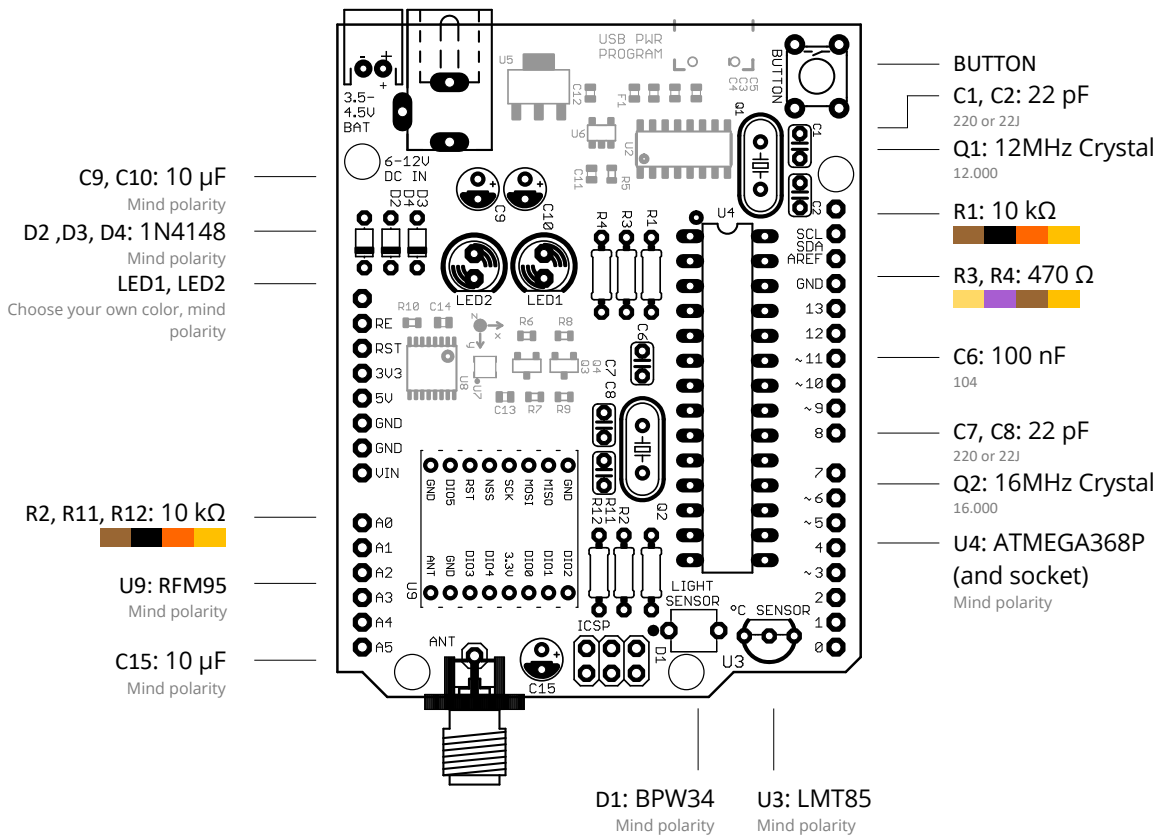


# DRAMCO UNO

## Assembly instructions



# DRAMCO UNO

Bill of materials (and checklist)

<input type="checkbox"/>	R1, R2, R11, R12	Resistors	10 k $\Omega$
<input type="checkbox"/>	R3, R4	Resistors	470 $\Omega$
<input type="checkbox"/>	Q1	Crystal oscillator	12 MHz
<input type="checkbox"/>	Q2	Crystal oscillator	16 MHz
<input type="checkbox"/>	D1	Light sensor diode	BPW34
<input type="checkbox"/>	U9	LoRa module	RFM95
<input type="checkbox"/>	D2, D3, D4	Diodes	1N4148
<input type="checkbox"/>	C1, C2, C7, C8	Capacitors	22 pF
<input type="checkbox"/>	C6	Capacitor	100 nF
<input type="checkbox"/>	C9, C10, C15	Capacitors	10 $\mu$ F
<input type="checkbox"/>	LED1, LED2	LED Diode	5 mm (choose your own color)
<input type="checkbox"/>	U3	Temperature sensor	LMT85
<input type="checkbox"/>	U4	IC socket	28 pin; for ATMEGA328P
<input type="checkbox"/>	BUTTON	Button	Push button
<input type="checkbox"/>	ANT	Antenna	Wire antenna 8.2 cm

